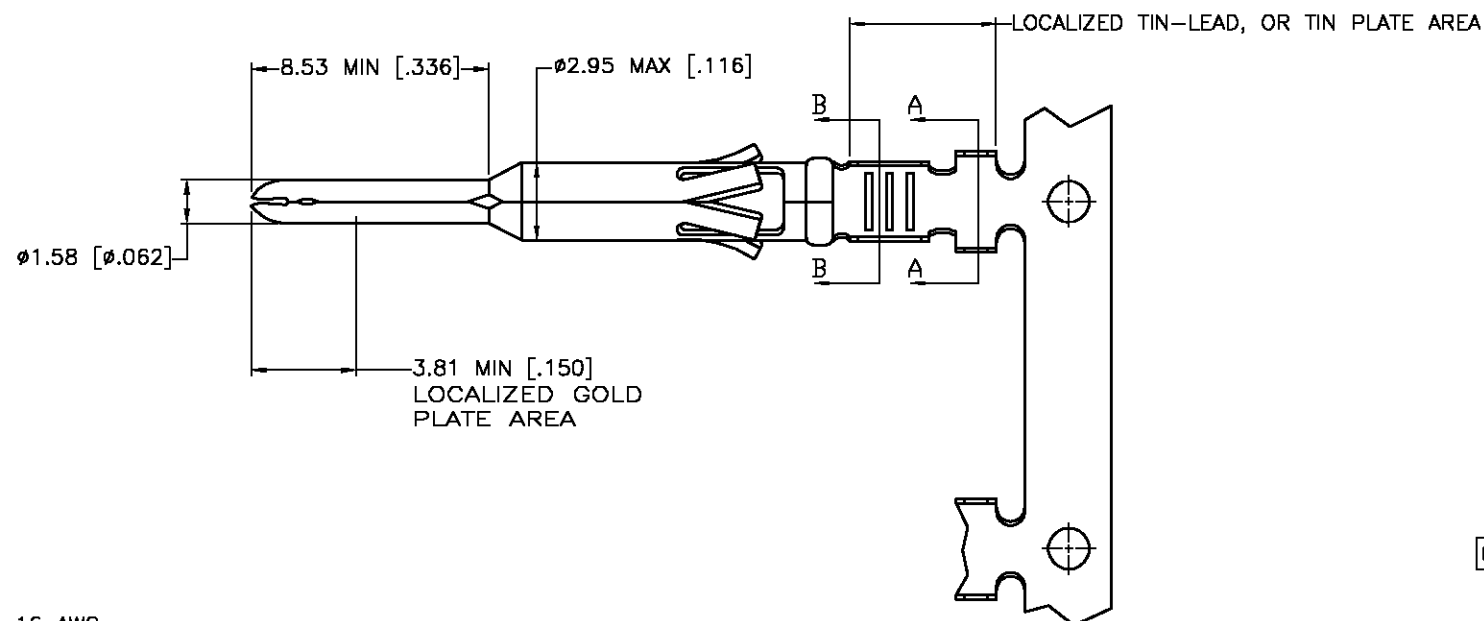
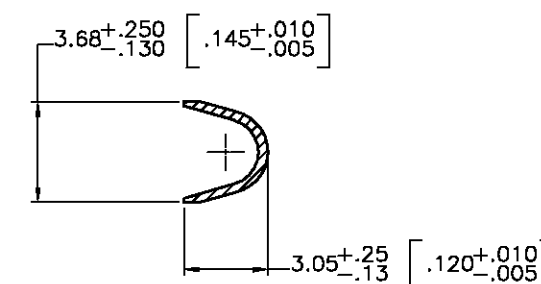
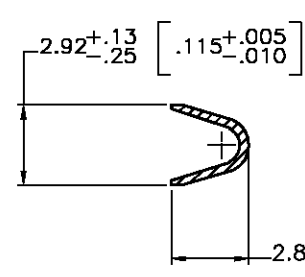
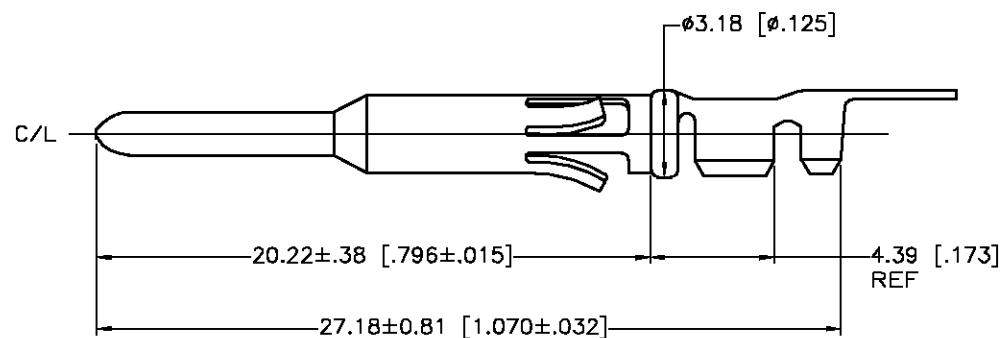
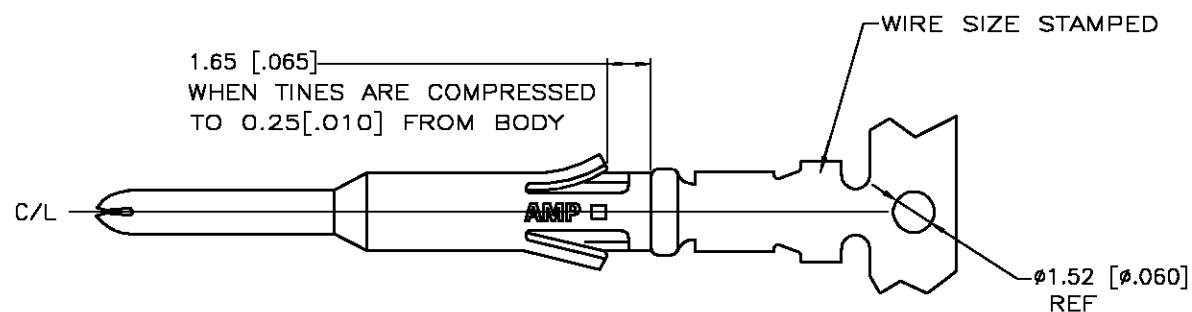


THIS DRAWING IS UNPUBLISHED. RELEASED FOR PUBLICATION
 © COPYRIGHT BY TYCO ELECTRONICS CORPORATION. ALL RIGHTS RESERVED.

LOC	DIST	REVISIONS			
P	LTR	DESCRIPTION	DATE	DWN	APVD
BD	39	G	REV PER EC 0G3B-0317-03	24APR03	VF GS



REVERSE REELED FOR MINI-APPLICATOR	8	66579-7
-	8	66579-6
REVERSE REELED FOR MINI-APPLICATOR	4	66579-4
-	4	66579-3
REVERSE REELED FOR MINI-APPLICATOR	5	66579-2
-	5	66579-1
DESCRIPTION	FINISH	

- WIRE RANGE 18-16 AWG.
- INSULATION RANGE 2.54-2.03 [.100-.080] DIA.
- FOR LOOSE PIECE PART SEE DWG 66589.
- 0.76µm [.000030] MIN GOLD IN LOCALIZED GOLD PLATE AREA, 1.27µm [.000050] MIN TIN-LEAD IN LOCALIZED TIN-LEAD PLATE AREA, BOTH OVER 1.27µm [.000050] MIN NICKEL.
- TIN PLATED.
- 2.54µm [.000100] MIN SILVER OVER 1.27µm [.000050] MIN NICKEL.
- GOLD PLATING PER MIL-G-45204, SILVER PER QQ-S-365, TIN PER MIL-T-10727 AND NICKEL PER QQ-N-290.
- 0.76µm [.000030] MIN GOLD IN LOCALIZED GOLD PLATE AREA, 1.27µm [.000050] MIN TIN IN LOCALIZED TIN PLATE AREA, BOTH OVER 1.27µm [.000050] MIN NICKEL.

THIS DRAWING IS A CONTROLLED DOCUMENT.

DIMENSIONS: MM [INCHES]	TOLERANCES UNLESS OTHERWISE SPECIFIED:	DWN V. FURLER 14MAY2003	Tyco Electronics Corporation Harrisburg, PA 17105	
	0 PLC ± -	CHK G. STEINHAUER 16MAY03	NAME	
	1 PLC ± -	APVD G. STEINHAUER 16MAY03	CONTACT, PIN, STRIP, TYPE VI, MULTIMATE	
	2 PLC ± 0.13 [.005]	PRODUCT SPEC	SIZE	CAGE CODE
	3 PLC ± -	APPLICATION SPEC	A3	00779
	4 PLC ± -	WEIGHT	DRAWING NO	RESTRICTED TO
	ANGLES ± -	CUSTOMER DRAWING	C-66579	-
MATERIAL BRASS MIL-C-50	FINISH SEE TABLE	SCALE 8:5 SHEET 1 OF 1 REV G		